

SPECIFICATIONS

GENERAL:

The surface drainage system shall be 6000 Plus Series Slot Drain complete with slotted linear trench opening as manufactured by Slot Drain Systems.

MATERIALS:

T304 Stainless Steel, T316 Stainless Steel, Galvanized Steel

DESIGN OPTIONS:

Slot Opening (#): ½" (0), 1" (1), 1 ¼" (5)
End (*): Open (0), End Cap (1), Flush Nipple (5)
Section Lengths: Full 9'8", Half 4'10"
Typical runs start with 102 or 102B (Half Section).

FLOW RATE:

½" 11 gpm (per foot of drain)
1 18 gpm (per foot of drain)
1 ¼" 27 gpm (per foot of drain)

LOAD CLASS:

Load Class C or E

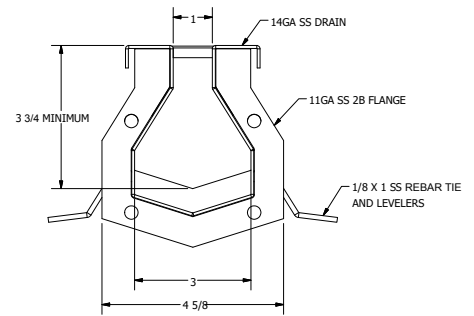
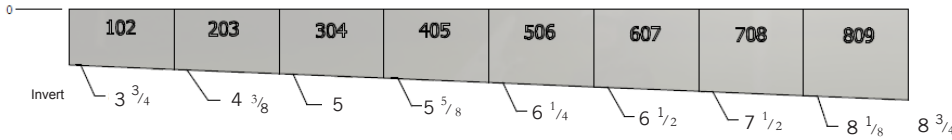
ACCESSORIES:

Cleaning paddle, Cleaning Brush, Flush Flo

INSTALLATION:

The 6000 Plus Series Slot Drain System shall be installed in accordance with the manufacturer's installation instructions and recommendations.

TYPICAL MODULAR LAYOUT OF A 6000 PLUS SERIES SLOT DRAIN® SYSTEM (Sections fit together as illustrated below)



DRAIN CHANNELS

DESCRIPTION	PART NO.	INVERT SHALLOW		INVERT DEEP	
		INCHES	MM	INCHES	MM
6000 PLUS SERIES SS SLOT 102 HALF	SD65#* - 102B	4 1/16	103	4 3/8	111
6000 PLUS SERIES SS SLOT 102	SD65#* - 102	3 3/4	95	4 3/8	111
6000 PLUS SERIES SS SLOT 203	SD65#* - 203	4 3/8	111	5	127
6000 PLUS SERIES SS SLOT 304	SD65#* - 304	5	127	5 5/8	143
6000 PLUS SERIES SS SLOT 405	SD65#* - 405	5 5/8	143	6 1/4	159
6000 PLUS SERIES SS SLOT 505 N	SD65#* - 505B	6 1/4	159	6 1/4	159
6000 PLUS SERIES SS SLOT 506	SD65#* - 506	6 1/4	159	6 7/8	175
6000 PLUS SERIES SS SLOT 607	SD65#* - 607	6 7/8	175	7 1/2	191
6000 PLUS SERIES SS SLOT 708	SD65#* - 708	7 1/2	191	8 1/8	206
6000 PLUS SERIES SS SLOT 809	SD65#* - 809	8 1/8	206	8 3/4	222
6000 PLUS SERIES 90° SS SLOT	-	-	-	-	-
6000 PLUS SERIES SS TRANSITION PIT	-	-	-	-	-

CATCH BASIN

DESCRIPTION	TOP WIDTH		TOP LENGTH		BOTTOM WIDTH		BOTTOM LENGTH		HEIGHT		OUTLET HEIGHT	
	INCHES	MM	INCHES	MM	INCHES	MM	INCHES	MM	INCHES	MM	INCHES	MM
6000 SS CB LARGE	6	152	12	305	6	152	12	305	12 1/16	306	4 or 6	102 - 152.4
6000 SS CB SMALL	6	152	6	152	6	152	6	152	12 1/16	306	4 or 6	102 - 152.4

SPECIFYING ENGINEER IS RESPONSIBLE FOR CONCRETE ENCASEMENT AND REINFORCING BASED UPON APPLICATION AND LOCAL CODES. SLOT DRAIN SYSTEMS RESERVES THE RIGHT TO CHANGE THE PRODUCT AND SPECIFICATIONS WITHOUT NOTICE