

SPECIFICATIONS

GENERAL:

The surface drainage system shall be 10000 Series Slot Drain complete with slotted linear trench opening as manufactured by Slot Drain Systems.

MATERIALS:

T304 Stainless Steel, T316 Stainless Steel

DESIGN OPTIONS:

Slot Opening (#): ½" (0), 1" (1), 1 ¼" (5)
End (*): Open (0), End Cap (1), Flush Nipple (5)
Section Lengths: Full 9'8", Half 4'10"
Typical runs start with 102 or 102B (Half Section).

LOAD CLASS:

Load Class Heavy Duty

FLOW RATE:

½" 11 gpm (per foot of drain)
1 18 gpm (per foot of drain)
1 ¼" 27 gpm (per foot of drain)

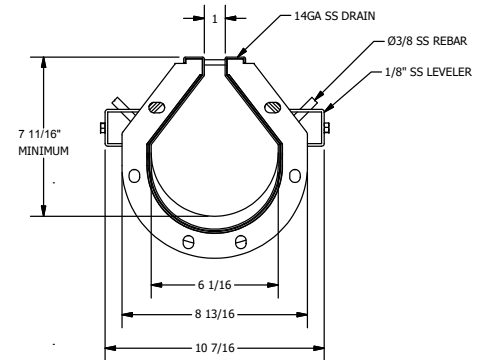
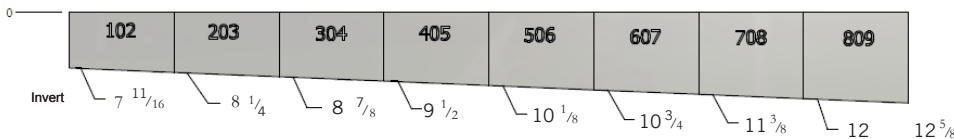
ACCESSORIES:

Cleaning paddle, Cleaning Brush, Flush Flo, CIP

INSTALLATION:

The 10000 Series Slot Drain System shall be installed in accordance with the manufacturer's installation instructions and recommendations.

TYPICAL MODULAR LAYOUT OF A 10000 SERIES SLOT DRAIN® SYSTEM (Sections fit together as illustrated below)



DRAIN CHANNELS

DESCRIPTION	PART NO.	INVERT SHALLOW		INVERT DEEP	
		INCHES	MM	INCHES	MM
10000 SERIES SS SLOT 102 HALF	SD10#*-102B	8	203	8 1/4	210
10000 SERIES SS SLOT 102	SD10#*-102	7 11/16	195	8 1/4	210
10000 SERIES SS SLOT 203	SD10#*-203	8 1/4	210	8 7/8	225
10000 SERIES SS SLOT 304	SD10#*-304	8 7/8	225	9 1/2	241
10000 SERIES SS SLOT 405	SD10#*-405	9 1/2	241	10 1/8	257
10000 SERIES SS SLOT 505 N	SD10#*-505B	10 1/8	257	10 1/8	257
10000 SERIES SS SLOT 506	SD10#*-506	10 1/8	257	10 3/4	273
10000 SERIES SS SLOT 607	SD10#*-607	10 3/4	273	11 3/8	289
10000 SERIES SS SLOT 708	SD10#*-708	11 3/8	289	12	305
10000 SERIES SS SLOT 809	SD10#*-809	12	305	12 5/8	321
10000 SERIES 90° SS SLOT	-	-	-	-	-
10000 SERIES SS TRANSITION PIT	-	-	-	-	-
-	-	-	-	-	-

CATCH BASIN

DESCRIPTION	TOP WIDTH		TOP LENGTH		BOTTOM WIDTH		BOTTOM LENGTH		HEIGHT		OUTLET HEIGHT		EDGE OF FRAME	
	INCHES	MM	INCHES	MM	INCHES	MM	INCHES	MM	INCHES	MM	INCHES	MM	INCHES	MM
10000 SS CB	13	304.8	13	304.8	13	304.8	13	304.8	20 1/4	508	4 or 6	101.6 - 152.4	15	381

SPECIFYING ENGINEER IS RESPONSIBLE FOR CONCRETE ENCASEMENT AND REINFORCING BASED UPON APPLICATION AND LOCAL CODES. SLOT DRAIN SYSTEMS RESERVES THE RIGHT TO CHANGE THE PRODUCT AND SPECIFICATIONS WITHOUT NOTICE